

# SolidPOS 80



■ Support VFD or LCD display



■ Support dual independent display for different resolution



■ Tool Free to Access Main Board and Easy Maintenance.

# SolidPOS 80 Series

## Specifications

### System

Model	SolidPOS 872	SolidPOS 875
Intel® Pentium® IV	POS87-2B-478	POS87-5B-478

### Main Board

CPU	Support Socket 478 Intel® Pentium® IV/ Celeron®, FSB upto 400MHz Recommend: Intel® Mobile Celeron® 1.2 GHz or Intel® Celeron® 2.0 GHz or Intel® Pentium® IV 2.0GHz	
Core Logic	Intel® Pentium® IV: Intel® 852GM + ICH4	
System Memory	DIMM, DDR266/333, 128MB up to 1GB	
OS Support	Win XP / XPe, Linux, WEPOS, WinCE	

### Display

TFT LCD Size	12.1"	15"
Brightness	200nits	350nits
Resolution	800x600	1024x768
Touch Screen	7-Wire Fujitsu Resistive Type	
Tilt Angle	0° to 90°	

### Storage Device

HDD	1 x IDE , 3.5" HDD Drive Bay	
Compact Flash	1 x Slot Compact Flash Type II	
CD-ROM	1 x Slim Type, CD-ROM / Combo (CD-RW, DVD-R) Drive Bay	

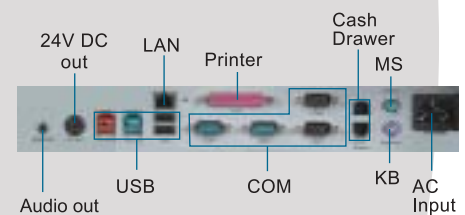
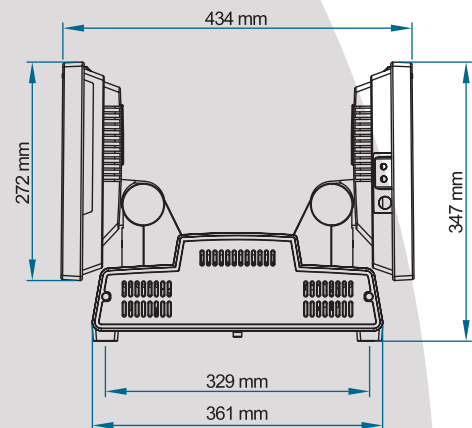
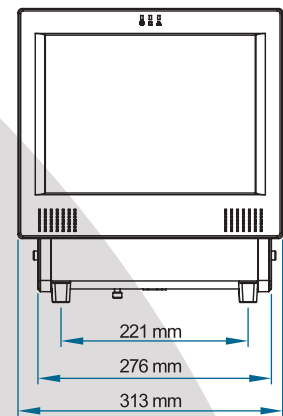
### I/O Ports

Serial	6 x RS-232	
	COM 1/ 2/ 3/ 4: DB-9, RS-232, Pin1 W/ DCD or 5V or 12V Selectable, Pin 9 W/ RI or 5V or 12V Selectable	
	COM 5/ 6: Internal for Touch Panel and MSR	
Parallel	1 x ECP/EPP/SPP	
USB	2 x USB2.0,	
	1 x USB2.0 w/ 12V	
	1 x USB2.0 w/ 24V	
	2 x Internal USB2.0 (On board pin header)	
PS/2 Mouse	1 x 6-pin mini DIN	
PS/2 Keyboard	1 x 6-pin mini DIN	
LAN	1 x RJ-45, 10/100 Base-T	
Audio	1x Audio Jack Out AC'97 2.0 Compliant, 2W speaker * 2	
Cash Drawer	2 x RJ-11 (Power Pin 12/24V Selectable)	
Expansion	1 x Mini PCI	

### Others

Power Input	220W ATX with 100 - 240V AC input @ 50 - 60 Hz	
Color	Black	
EMC& Safety Compliance	FCC / CE	
Weight (Kgs)	12	12.5
Dimension L x W x H (mm)	361 x 313 x 347	361 x 370 x 384
Operating Temperature	0°C ~ 40°C	
Storage Temperature	-20°C ~ 60°C	
Storage Humidity	20% - 85% RH, non-condensing	

SolidPOS 872



## Ordering information

### Main Unit Ordering Information

Part No.	Description
POS87-2B-478	SolidPOS 872 w/ 12.1" TFT LCD, Intel® Pentium® IV Socket 478 CPU
POS87-5B-478	SolidPOS 875 w/ 15" TFT LCD, Intel® Pentium® IV Socket 478 CPU

### Optional Accessories Ordering Information

Part No.	Description
A10400188RH	2nd Display: 12.1" w/o Touch
A10400189RH	2nd Display: 15" w/o Touch
A10400335RH	Customer Display: VFD Pole Display
A10400010RH	MSR: 2 Tracks, PS/2 Type
A10400009RH	MSR: 3 Tracks, PS/2 Type
A10400023RH	MSR: 2 Tracks, RS-232 Type
A10400024RH	MSR: 3 Tracks, RS-232 Type
A10400019RH	iButton: PS/2 Type
A10400302RH	Smart card: USB Type
A10400121RH	MSR: 2 Tracks, PS/2 Type iButton: PS/2 Type
A10400120RH	MSR: 3 Tracks, PS/2 Type iButton: PS/2 Type

A10400302RH	Smart Card: USB Type
A10400306RH	MSR: 2 Tracks, PS/2 Type Smart Card: USB Type
A10400305RH	MSR: 3 Tracks, PS/2 Type Smart Card: USB Type
A10400304RH	MSR: 2 Tracks, RS-232 Type Smart Card: USB Type
A10400104RH	MSR: 3 Tracks, RS-232 Type Smart Card: USB Type
A10400005RH	RFID: RS-232 Type
A10400266RH	WIRELESS LAN 11g Mini PCI Module w/ Antenna
20900001RH	OS: Win XP Professional (English Version)
20900002RH	OS: WEPOS (English Version)
20600003RH	Compact Flash: 512MB
20600005RH	Compact Flash: 1GB
20300003RH	DDR333, 512MB, 184Pin, SDRAM
20300002RH	DDR333, 256MB, 184Pin, SDRAM
20200009RH	HDD: 3.5-inch, 40GB, Ultra ATA/100, 5400RPM

Specifications are subject to change without notice. Issue Date: 2007/05

# EBN

EBN Technology Corp.

**EBN Technology Corp.**

10F, No. 90, Sec. 1, Sintai 5th Rd., Sijhih City, Taipei County 221, Taiwan

TEL: 886-2-2696 9292 FAX: 886-2-2696 9393

E-mail: sales@ebn.com.tw <http://www.ebn-pos.com>