

# EZPOS 70



■ Easy Maintenance-  
Special tool no  
needed



■ Wide Tilt Angle



■ Easy Maintenance  
Main Board



■ Easy Maintenance  
Simple Mounting

# EBN

EBN Technology Corp.

# EZPOS 70 Series

## Specifications

### System

Model	EZPOS 715
Celeron®	EZPOS70-5B-C1G

### Main Board

CPU	Intel® Ultra Low Voltage Celeron® M 1GHz w/o L2 cache
Core Logi	Intel® 852GM + ICH4
System Memory	SO-DIMM DDR 200/266, 128MB up to 1GB
OS Support	Win2000, Win XP/XPe, Linux, WEPOS, WinCE

### Display

TFT LCD Size	15"
Brightness	250nits
Resolution	1024 x 768
Touch Screen	5-wire Resistive Type

### Storage Device

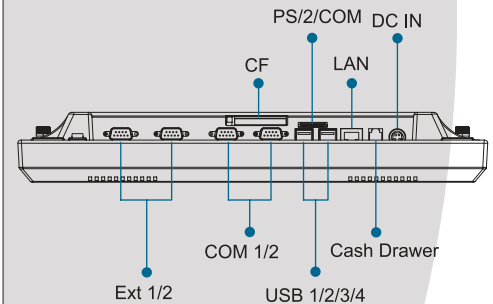
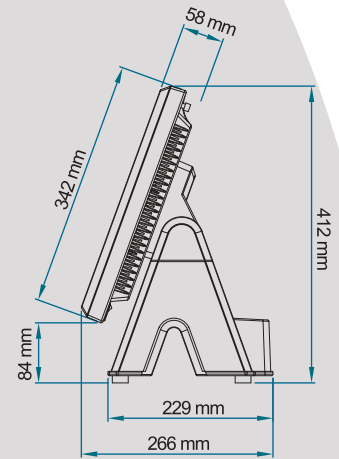
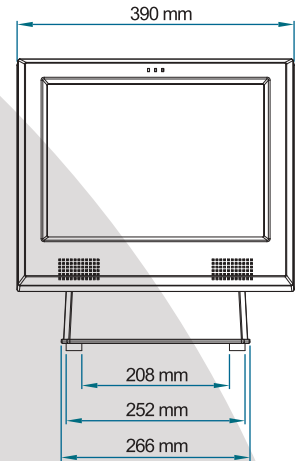
HDD	1 x IDE, 2.5" HDD Drive Bay
Compact Flash	1 x Slot Compact Flash Type II

### I/O Ports

Serial	5 x RS-232, 1 x RS-232/422/485
	COM1: DB-9, RS-232/422/485, Pin9 w/ RI/5V/12V Selectable by BIOS
	COM2/3/4: DB-9, RS-232, Pin9 w/ RI/5V/12V Selectable by BIOS
	COM5: Internal for MSR
	COM6: Internal for Touch Panel
USB	4 x USB2.0
PS/2 Keyboard	1 x internal for MSR, iButton
LAN	1 x Gigabit Ethernet by RJ-45
Cash Drawer	1 x RJ-11 (Power Pin 12V)
Audio	AC' 97 2.0 Compliant, 2W Speaker * 2
Expansion	1 x Mini PCI

### Others

Power Input	External adapter, 135W, 19VDC input
UPS Power Backup	Optional 4P1S battery backup
Color	Black
Material	Die-casting Aluminum
EMC& Safety Compliance	FCC / CE
Weight (Kgs)	6.5
Dimension L x W x H (mm)	229 x 390 x 412
Operating Temperature	5°C ~ 40°C
Storage Temperature	-20°C ~ 60°C
Storage Humidity	20% - 85% RH, non-condensing



## Ordering information

### Main Unit Ordering Information

Part No.	Description
EZPOS70-5B-C1G	Fanless, EZPOS715 w/ 15" TFT LCD, Intel® ULV Celeron M 1GHz w/o L2 cache CPU

### Optional Accessories Ordering Information

Part No.	Description
A10400596RH	MSR: 3 Tracks, PS/2 Type
A10400597RH	MSR: 3 Tracks, RS-232 Type
A10400595RH	iButton: Dallas Key Reader, PS/2 Typ
A10400628RH	MSR: 2 Tracks, RS/2 Type

A10400594RH	MSR: 3 Tracks, PS/2 Type iButton: PS/2 Type
A10400264RH	Customer Display: LCD Pole Display
A10400335RH	Customer Display: VFD Pole Display
20600003RH	Compact Flash: 512MB
20600005RH	Compact Flash: 1GB
20300006RH	DDR400, 256MB, 200Pin SO-DIMM, Non-ECC
20300007RH	DDR400, 512MB, 200Pin SO-DIMM, Non-ECC
20200010RH	HDD: 2.5-inch, 40GB, Ultra ATA/100, 5400RPM
20900001RH	OS: Win XP Professional (English Version)
A10400614RH	WIRELESS LAN 11g Mini PCI Module w/ Antenna

Specifications are subject to change without notice. Issue Date: 2007/05

# EBN

EBN Technology Corp.

**EBN Technology Corp.**

10F, No. 90, Sec. 1, Sintai 5th Rd., Sijhih City, Taipei County 221, Taiwan

TEL: 886-2-2696 9292 FAX: 886-2-2696 9393

E-mail: sales@ebn.com.tw <http://www.ebn-pos.com>