

Touch Monitor



WTM 60 Series

Specifications

System

Model	WTM608	WTM612	WTM615
Model Name	WTM60-8B-LR	WTM60-2B-LR	WTM60-5B-LR

Display

TFT LCD Size	8.4"	12.1"	15"
Brightness	220nits	200nits	350nits
Resolution	800x600	800x600	1024x768
Touch Screen	5-wire Resistive Type		
Wall Mount	Support VESA Mount		

I/O Ports

Serial	Combined LVDS+RS-232+LED+Power		
Audio	1 x Audio Jack In w/ 2W Speaker *2		

Others

Color	Black		
EMC & Safety Compliance	FCC / CE		
Weight (Kgs)	1.4	2.8	4
Dimension L x W x H (mm)	40 x 224 x 184	46.5 x 313 x 256	50.0 x 370 x 310
Operating Temperature	5°C ~ 40°C		
Storage Temperature	-20°C ~ 60°C		
Storage Humidity	20% - 85% RH, non-condensing		

Ordering information

Main Unit Ordering Information

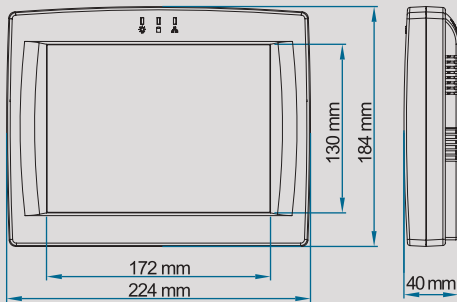
Part No.	Description
WTM60-8B-LR	WTM608 w/ 8.4" LVDS Touch Panel, RS-232,Audio
WTM60-2B-LR	WTM612 w/ 12.1" LVDS Touch Panel, RS-232,Audio
WTM60-5B-LR	WTM615 w/ 15" LVDS Touch Panel, RS-232,Audio

Optional Accessories Ordering Information

Part No.	Description
BPC60-B-C650	Fanless BOXPC60 w/ Intel® ULV Celeron® C650MHz CPU

Specifications are subject to change without notice. Issue Date: 2007/05

WTM 608



TM 70 Series

Specifications

System

Model	TM712	TM715
Model Name	TM70-2EB-VR	TM70-5EB-VR

Display

TFT LCD	12.1"	15"
Brightness	200 nits	350 nits
Resolution	800 x 600	1024 x 768
Touch Screen	7-wire Resistive Type	

I/O Ports

Serial	2 x RS-232 DB-9	
Audio	1 x Audio Jack In w/ 2W Speaker *2	
VGA	1 x DB-15	

Others

Power Input	External adapter, 50W, 12VDC input	
Color	Black	
Compliance	FCC / CE	
Weight(Kgs)	5	6
Dimension L x W x H (mm)	231 x 313 x 318	231 x 370 x 355
Operating Temperature	5°C ~ 40°C	
Storage Temperature	-20°C ~ 60°C	
Storage Humidity	20% - 85% RH, non-condensing	

Ordering information

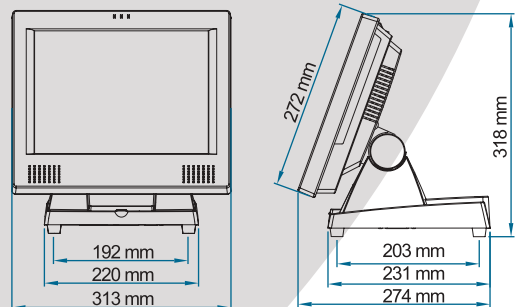
Main Unit Ordering Information

Part No.	Description
TM70-2EB-VR	TM 712 w/ 12.1" VGA Touch Panel,RS-232,Audio
TM70-5EB-VR	TM 715 w/ 15" VGA Touch Panel,RS-232,Audio

Optional Accessories Ordering Information

Part No.	Description
60100005	Customer Display: VFD Pole Display, 20 x 2 characters w/ US Adapter
60100007	Customer Display: VFD Pole Display, 20 x 2 characters w/ UK Adapter
60100009	Customer Display: VFD Pole Display, 20 x 2 characters w/ AU Adapter
A10400010RH	MSR: 2 Tracks, PS/2 Type
A10400009RH	MSR: 3 Tracks, PS/2 Type
A10400023RH	MSR: 2 Tracks, RS-232 Type
A10400024RH	MSR: 3 Tracks, RS-232 Type
A10400019RH	iButton: PS/2 Type
A10400121RH	MSR: 2 Tracks, PS/2 Type iButton: PS/2 Type
A10400120RH	MSR: 3 Tracks, PS/2 Type iButton: PS/2 Type
A10400104RH	MSR: 3 Tracks, RS-232 Type Smart Card: USB Type

TM 712



EBN

EBN Technology Corp.

EBN Technology Corp.

10F, No. 90, Sec. 1, Sintai 5th Rd., Sijhih City, Taipei County 221, Taiwan

TEL: 886-2-2696 9292 FAX: 886-2-2696 9393

E-mail: sales@ebn.com.tw <http://www.ebn-pos.com>